

Frequency Range	617-894x2 1695-2690x2
Polarization	±45°
Half-Power Beam Width	90°
Electrical Downtilt	2° - 12°x4

Type OCT6-2LX2HX-BR90



Base Station Antenna

8-ports 617-894 / 617-894 /1695-2400 /1695-2400 MHz 90°, 14 / 14/ 17 / 17 dBi, 2°-12° / 2°-12° / 2°-12° / 2°-12° Tilt Antenna With 4 Integrated RCUs.

Electrical Specifications

Frequency Range(MHz)		2x617-894			2x1695-2400			
		617-698	698-824	824-894	1695-1920	1920-2180	2300-2400	2400-2690
Polarization		±45°						
Horizontal 3dB Beamwidth(°)		88	83	78	88	83	78	73
Vertical 3dB Beamwidth(°)		13.5	12	10.5	5.5	5	4.3	4.1
Gain (dBi)		12.9	13.4	13.9	16.6	17.0	17.1	17.3
Electrical Downtilt		2°-12°			2°-12°			
Upper Sidelobe Suppression(dB)	First	≥16	≥16	≥16	≥16	≥16	≥16	≥16
Front-to-Back Ratio Total Power, ±30° (dB)		≥23	≥23	≥23	≥23	≥23	≥23	≥23
Cross polar ratio	Main direction(dB)	≥17	≥17	≥17	≥17	≥17	≥17	≥17
	±60° (dB)	≥8	≥8	≥8	≥8	≥8	≥8	≥8
Isolation ports		≥25 dB						
Isolation Frequency		≥30 dB						
VSWR		< 1.5						
Intermodulation IM3		< -150 dBc(2x43dBm carrier)						
Impedance		50 Ω						
Max. Power per Input (at 50°C ambient temperature)		500 W			300 W			
Lightning Protection		DC Ground						

Mechanical Specifications

Radome Material	ASA
Connector Type and Location	4.3-10x8 ,Bottom iRCU in:1 x 8 pin male iRCU out:1 x 8 pin female
Dimensions,HxWxD(mm)/(inches)	1850 x 499 x 180 / 72.8 x 19.6 x 7.1
Packing Size(mm)/(inches)	2160 x 620 x 325 / 85.0 x 24.4 x 12.8
Weight ,w/o Mounting kit(kg)/(lbs)	30.5 / 67.1
Weight w/ Downtilt Bracket(kg)/(lbs)	37.5 / 82.5
Weight w/ Fixed Bracket(kg)/(lbs)	35.5 / 78.1
Packing Weight (w/ Downtilt Bracket) (kg)/(lbs)	45 / 99
Packing Weight (w/ Fixed Bracket) (kg)/(lbs)	43 / 94.6
Max. Wind Velocity(mph)	150
Mounting hardware	ϕ 50 mm ~ ϕ 115 mm
Operational Temperature(°C)	-40 to +65
Operational Humidity(%)	<95
Wind Load at 100mph (Frontal/lateral/Rearside(N))	1067/239/772

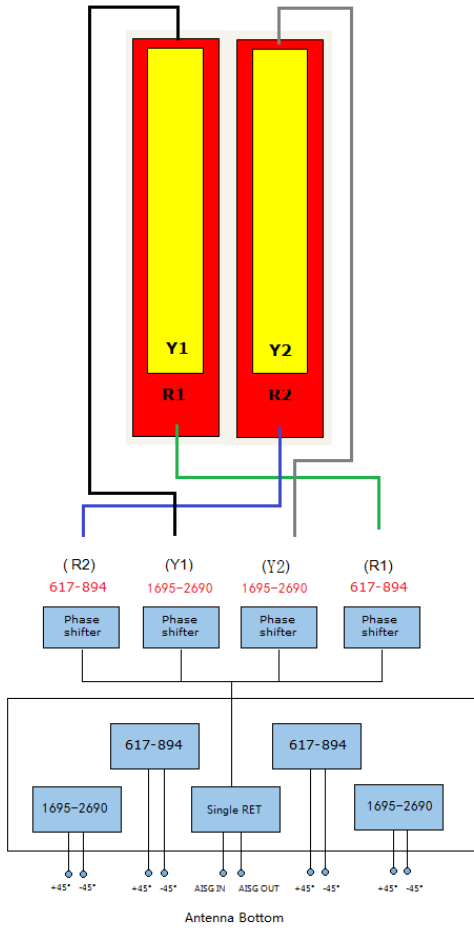
Frequency Range	617-894x2 1695-2690x2
Polarization	±45°
Half-Power Beam Width	90°
Electrical Downtilt	2° - 12°x4

Type OCT6-2LX2HX-BR90

Integrated RET Properties

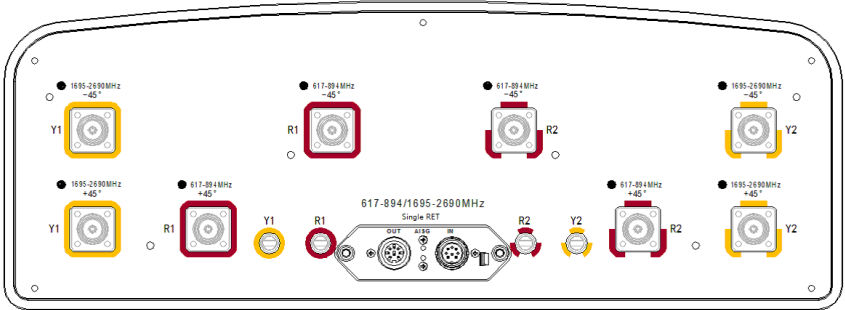
RET Type	4x Type 1 Single RET	
Protocols	Compliant to AISG 2.0/3GPP	
Input voltage range	+10~+30VDC(pin 6)	
Power consumption	<2W(stand by);<13W(motor activated)	
Connectors	AISG	2 x 8 pin connector acc. To IEC 60130-9 Acc.to AISG Daisy chain in:male Daisy chain out:female
	Antenna	Two motor shaft(Embedded motor)
Hardware interface	AISG	RS485A/B(pin5/pin3);Power supply(pin6); DC return(pin7)Acc.to AISG
Adjustment time(full range)	40 sec(typically,depending on antenna)	
Adjustment Cycles	≥10000	
Torque Max	≥160mN.m	
Lightning Protection Rating	IEC 61000-4-5 Current Pulse Profile,8/20 μs 10 Repetitions Min.@ 6kA IEC 61312-1 Annex B Current Pulse Profile, 10/350 μs,200 Repetitions Min. @ 0.6kA	

COMPREHENSIVE TILT CONFIGURATION



Frequency Range	Array	RET Unique ID
617-894MHz	R1	NDPMXXXXXXXX-6089R1
617-894MHz	R2	NDPMXXXXXXXX-6089R2
1695-2690MHz	Y1	NDPMXXXXXXXX-1727Y1
1695-2690MHz	Y2	NDPMXXXXXXXX-1727Y2

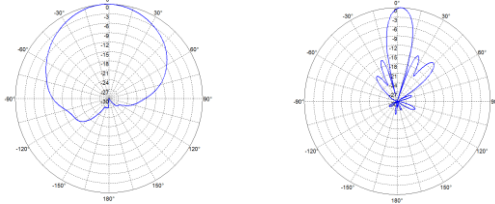
Note: (1) Physical RET Unit containing (4) Single RET



Frequency Range	617-894x2 1695-2690x2
Polarization	±45°
Half-Power Beam Width	90°
Electrical Downtilt	2° - 12°x4

Type OCT6-2LX2HX-BR90

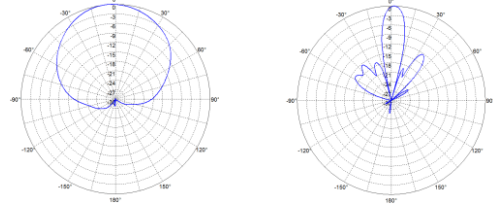
Radiation Pattern (617 - 824 MHz)



Horizontal Pattern

Vertical Pattern

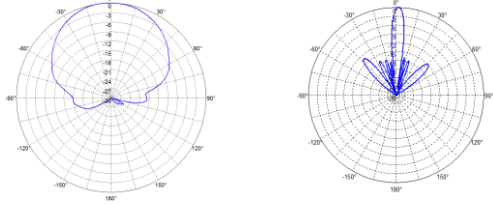
Radiation Patterns (824 - 894 MHz)



Horizontal Pattern

Vertical Pattern

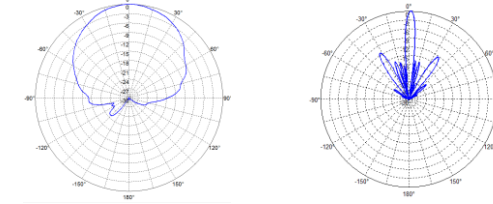
Radiation Pattern (1695 - 1920 MHz)



Horizontal Pattern

Vertical Pattern

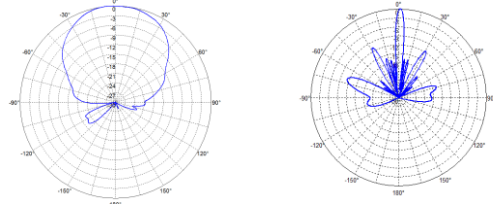
Radiation Patterns (1920 - 2180 MHz)



Horizontal Pattern

Vertical Pattern

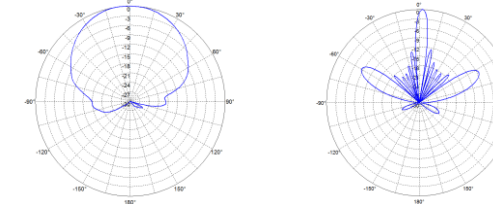
Radiation Pattern (2180 - 2400 MHz)



Horizontal Pattern

Vertical Pattern

Radiation Pattern (2400 - 2690 MHz)



Horizontal Pattern

Vertical Pattern