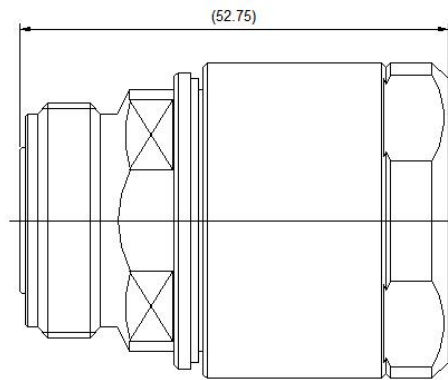


1. Figure



2. Product Description

1). Cable Type:	HHTAY-50-21(7/8"A)
2). Cable Size:	
Inner Conductor	Copper tube (Diameter 9.45 mm)
Dielectric	Physical Foam Polyethylene(Diameter 22.8mm)
Outer Conductor	Corrugated Copper Tube(Diameter 25.4mm)
Jacket	Black PE(Diameter 27.8mm)
3). Connectors	
Inner Conductor Pin	Brass or Tin Bronze /Silver Plating
Body&Outer Conductor	Brass/Trimetal Plating
Insulator	PTFE
Gasket	Silicon Rubber
Nut	Brass/Nickel Plating or Trimetal Plating

3. Electrical Characteristics

Characteristics Impedance	50 Ohm
Frequency Range	DC~7.5GHz
Insulation Resistance	≥5000MΩ
Dielectric Withstanding Voltage	2500V rms (DC)
Operating Voltage	1400V rms
Insertion Loss @DC-3 GHz	≤0.1dB
VSWR @0-1.0 GHz	≤1.08
@1-2.2 GHz	≤1.1
@2.2-3 GHz	≤1.12
PIM3	≤-160dBc

4. Environmental and Mechanical Specifications

Storage Temperature	-45°C to +65°C
Operating temperature	-65°C to +85°C
Water Proof level	IP68 24hr, 1m, 20°C
RoHS	Compliant